

BILL OF MATERIAL

ITEM	QTY	DESCRIPTION	MFR	MODEL #
1	1	NEMA 12 ENCLOSURE 30X48X12	HOFFMAN	A-304812LP
2	1	BACK PANEL MOUNTING 26X44	HOFFMAN	A-30P48
3	1	CARD HOUSING, 12 SLOT	ALLEN-BRADLEY	1771-A32
4	2	DISCRETE DC INPUT, 16pt	ALLEN-BRADLEY	1771-EBD
5	1	DISCRETE DC OUTPUT, 16pt	ALLEN-BRADLEY	1771-GRD
6	1	ANALOG INPUT, 8pt	ALLEN-BRADLEY	1771-EL
7	2	ANALOG OUTPUT, 8pt	ALLEN-BRADLEY	1771-EPF2
8	1	PLC POWER SUPPLY, 120VAC	ALLEN-BRADLEY	1771-PK5
9	1	PLC-5 PROCESSOR	ALLEN-BRADLEY	1785-L20B
10	1	ETHERNET COMMUNICATION MODULE	PROSOFT	3100/3150-NOM
11	1	MODEM	DATA-LINE	DLM4000
12	10	RELAY, 2POLE, W/SOCKET 5Y2S-05	DEC	RY2S
13	A/R	DRY RAIL	OMEGA	OMECASA
14	134	TERMINAL BLOCK W 4/6T	ENTRELEC	118 224-13
15	8	END SECTION FEM#	ENTRELEC	118 385-16
16	8	END STOP BAN	ENTRELEC	103 002-28
17	8	MARKER HOLDER FOR END STOP PCB	ENTRELEC	113 084-01
18	8	STANDARD MARKER CARD RC (1-10)	ENTRELEC	232 041-24
19	6	STANDARD MARKER CARD RC (11-20)	ENTRELEC	232 041-28
20	8	STANDARD MARKER CARD RC (21-30)	ENTRELEC	232 041-28
21	4	STANDARD MARKER CARD RC (31-40)	ENTRELEC	232 041-27
22	22	FUSED TERMINAL BLOCK ML 10/13.9FL	ENTRELEC	188 188-00
23	3	END SECTION FEM#3V	ENTRELEC	188 825-24
24	5	END STOP BACH	ENTRELEC	116 900-27
25	A/R	2" X 4" WIREWAY	BOCO	TI-2240
26	A/R	3" X 4" WIREWAY	BOCO	TI-3040
27	A/R	1" X 4" WIREWAY	BOCO	TI-1040
28	1	SMART-UPS 700 W	APC	50700 XLNET+ (1) 5024XLRP
29	1	FLUORESCENT LIGHTING PACKAGE 2 FT.	LEVIATRON	
30	1	GROUNDING BLOCK		
31	2	DUPLEX RECEPTACLE, 20 A, 60I		
32	1	SINGLE POLE TOGGLE SWITCH, 20 A		
33	2	24 VDC POWER SUPPLY	POWER-DINE	H024-18-A
34	4	FUSE FUB33, 1/4 X 1 1/4, 1 AMP	ENTRELEC	188 554-03
35	1	CIRCUIT BREAKER, 30 AMP	OUTLER-HAMMER	SPDL SERIES
36	1	CIRCUIT BREAKER, 15 AMP	OUTLER-HAMMER	SPDL SERIES
37	1	CIRCUIT BREAKER, 10 AMP	OUTLER-HAMMER	SPDL SERIES
38	1	CIRCUIT BREAKER, 1 AMP	OUTLER-HAMMER	SPDL SERIES

PANEL LAYOUT

REV	DESCRIPTION OF REVISION	DATE	BY	CHK	APP	REV	DESCRIPTION OF REVISION	DATE	BY	CHK	APP	REFERENCE DRAWING	REFERENCE DRAWING
1	ISSUED FOR APPROVAL												
2	REVISED PER SHOP AS-BUILT	02/05/01	KRP	JH	IRB								

PLC ENCLOSURE
NEMA 12 ENCLOSURE
30TH STREET PUMP STATION
CENTRAL WEBER SEWER IMPROVEMENT DISTRICT

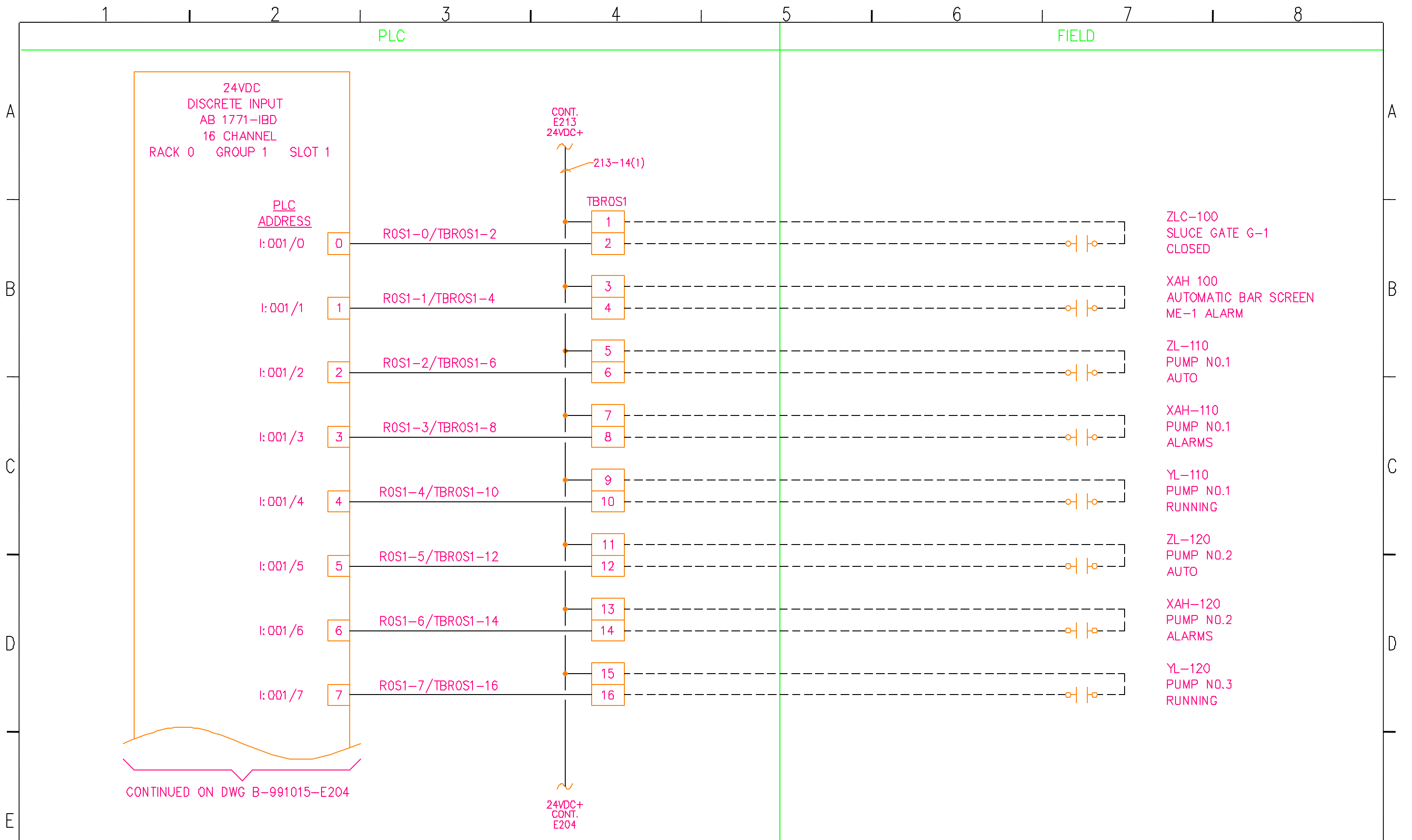
DESIGNED BY	TWF
CHECKED BY	J.R. HOYT
APPROVED BY	

SCALE: 3" = 1'-0"

DATE: 08/16/00

DRAWING NO: D-991015-E101

STATUS: A



REV	DESCRIPTION OF REVISION	DATE	BY	CHK	APP	REV	DESCRIPTION OF REVISION	DATE	BY	CHK	APP	REFERENCE DRAWING
0	REVISED PER SHOP AS-BUILT	02/05/01	KRP	JH	IRB							
A	ISSUED FOR APPROVAL		KRP	JH								

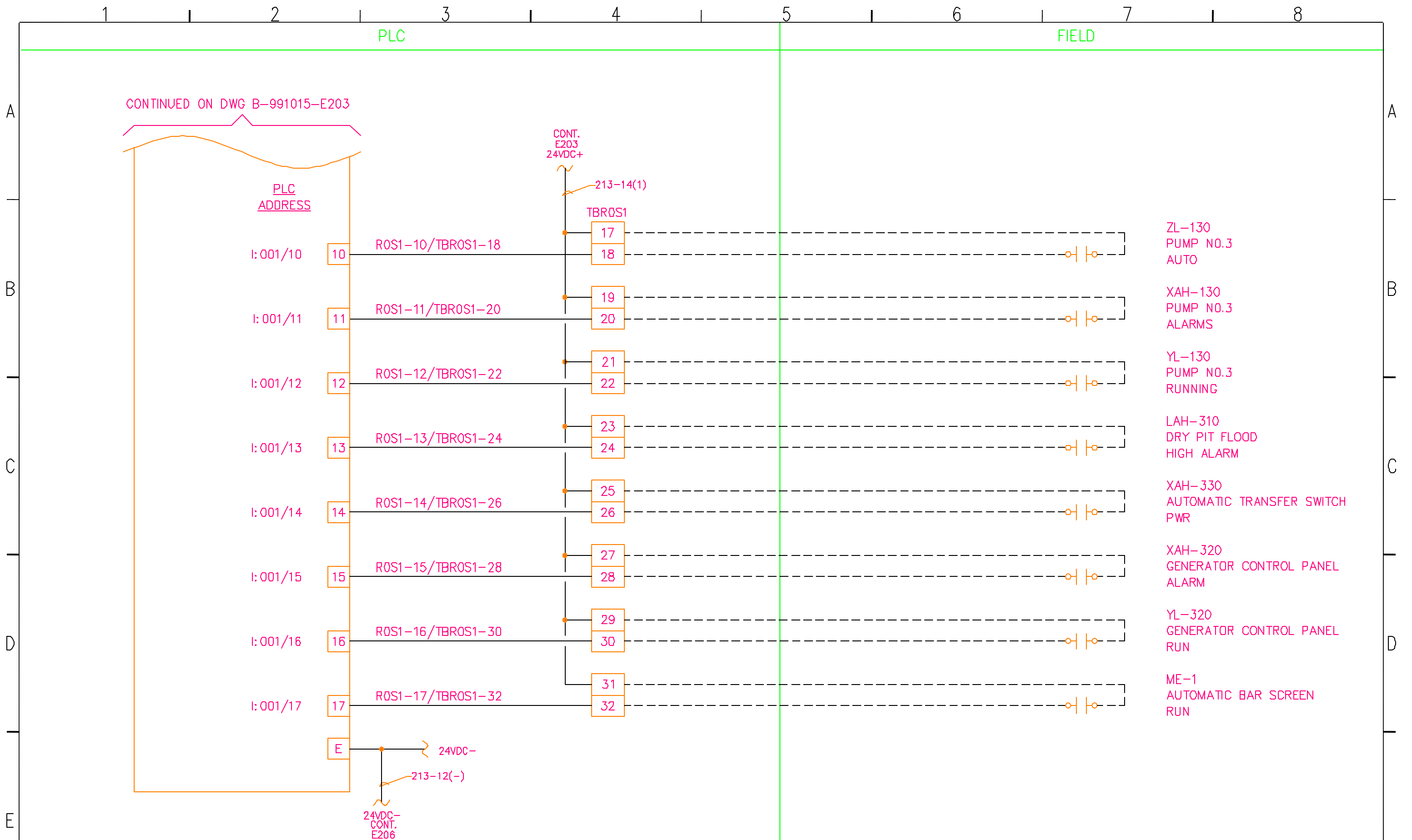
DISCRETE INPUT LOOP
 RACK 0/GROUP 1/SLOT 1 - SHEET 1 OF 2
 30TH STREET PUMP STATION
 CENTRAL WEBER SEWER IMPROVEMENT DISTRICT

DRAWN BY
J.R. HOYT
 DESIGNED BY
J.R. HOYT
 CHECKED BY
 APPROVED BY



SCALE	NONE	DATE	06/16/00
DRAWING NO.	B-991015-E203		

STATUS:



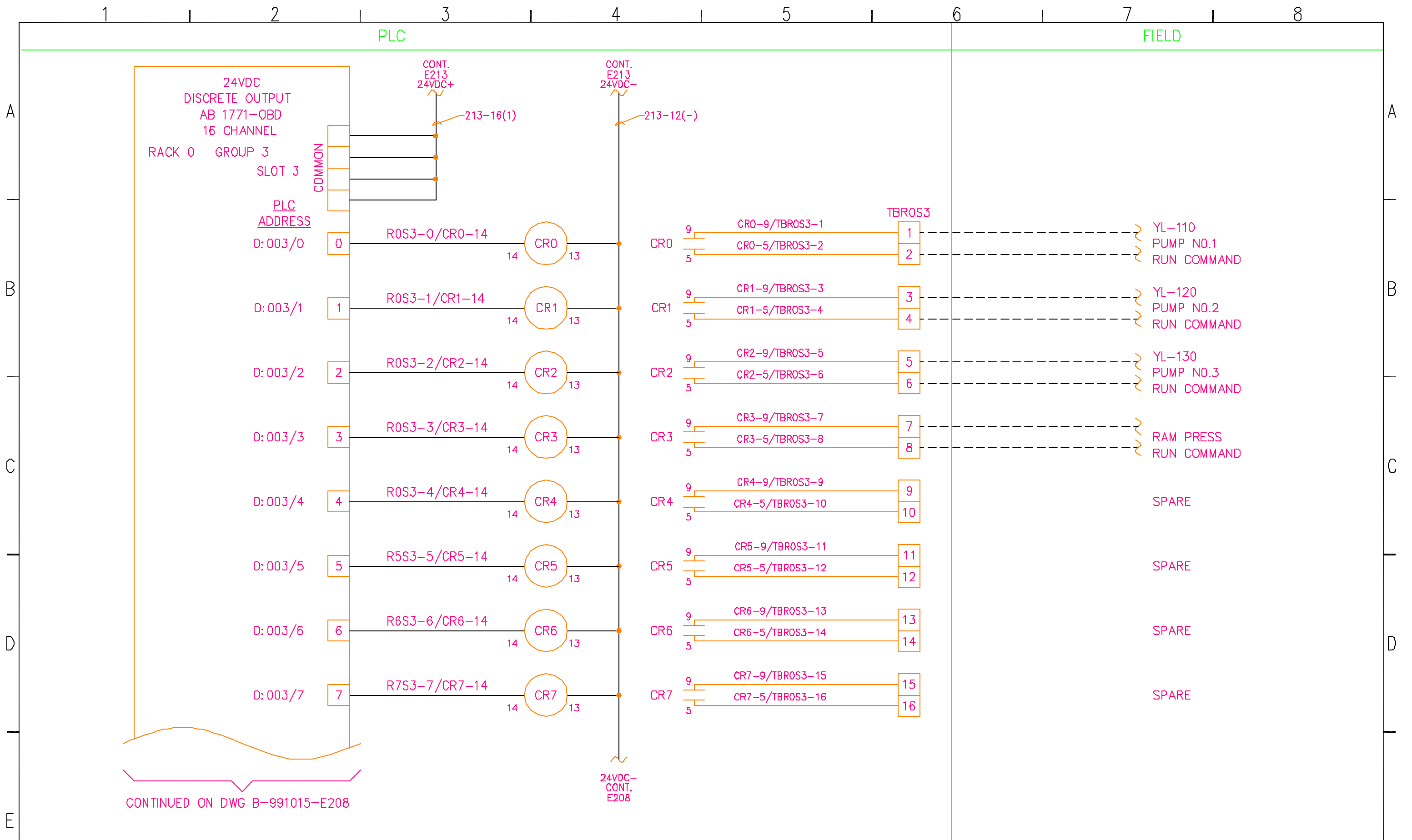
REV	DESCRIPTION OF REVISION	DATE	BY	CHK	APP	REV	DESCRIPTION OF REVISION	DATE	BY	CHK	APP	REFERENCE DRAWING
Q	REVISED PER SHOP AS-BUILT	02/05/01	KRP	JH	IRB							
A	ISSUED FOR APPROVAL		KRP	JH								

DISCRETE INPUT LOOP
 RACK 0/GROUP 1/SLOT 1 - SHEET 2 OF 2
 30TH STREET PUMP STATION
 CENTRAL WEBER SEWER IMPROVEMENT DISTRICT

DRAWN BY
J.R. HOYT
 DESIGNED BY
J.R. HOYT
 CHECKED BY
 APPROVED BY



SCALE: NONE DATE: 08/16/00
 DRAWING NO: B-991015-E204
 STATUS: 0



REV	DESCRIPTION OF REVISION	DATE	BY	CHK	APP	REV	DESCRIPTION OF REVISION	DATE	BY	CHK	APP	REFERENCE DRAWING
	REVISED PER SHOP AS-BUILT	02/05/01	KRP	JH	IRB							
	ISSUED FOR APPROVAL		KRP	JH								

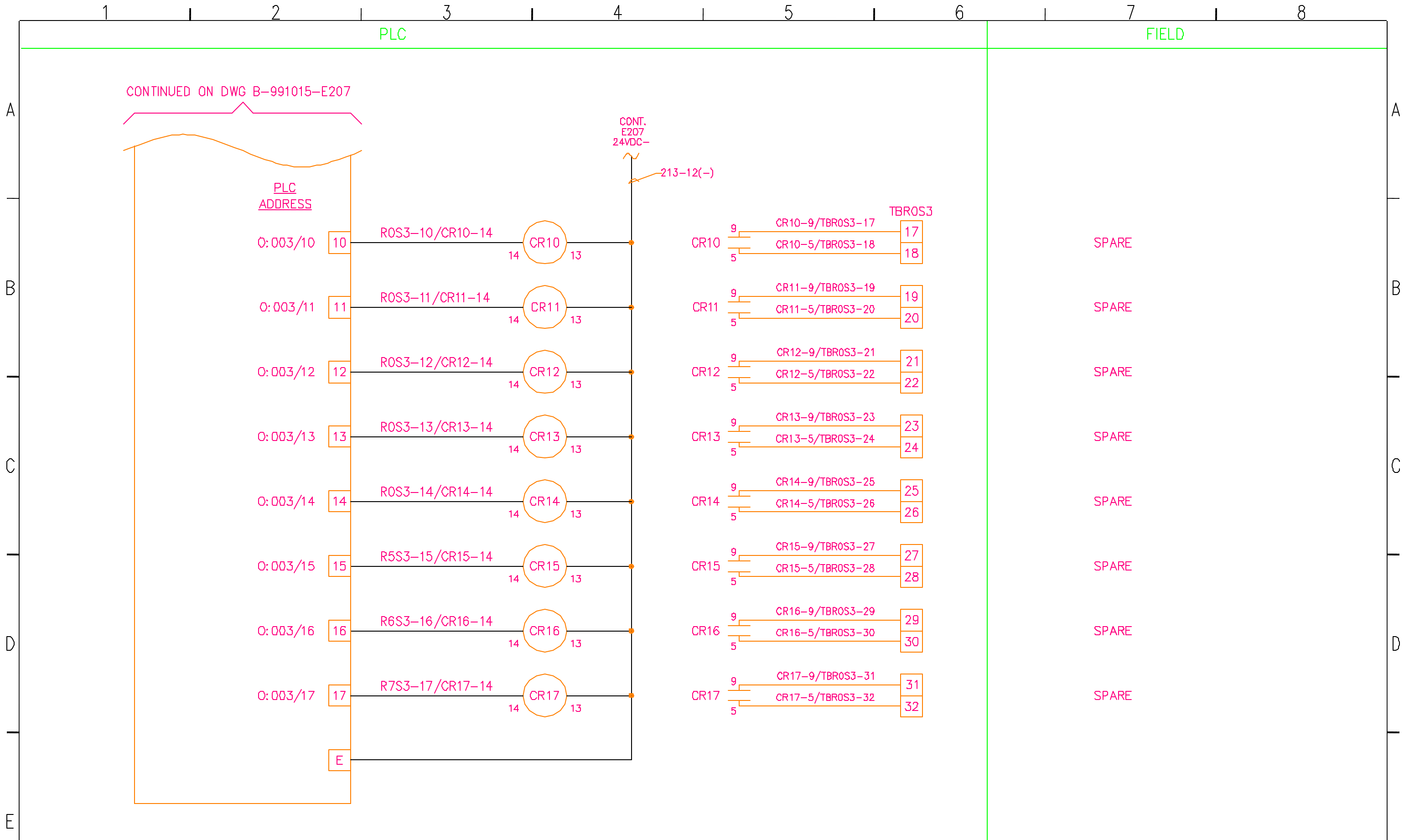
DISCRETE OUTPUT LOOP
 RACK 0/GROUP 3/SLOT 3 - SHEET 1 OF 2
 30TH STREET PUMP STATION
 CENTRAL WEBER SEWER IMPROVEMENT DISTRICT

DRAWN BY: J. R. HOYT
 DESIGNED BY: J. R. HOYT
 CHECKED BY:
 APPROVED BY:



SCALE: NONE	DATE: 08/16/00
DRAWING NO: B-991015-E207	REV: 0

STATUS



REV	DESCRIPTION OF REVISION	DATE	BY	CHK	APP	REV	DESCRIPTION OF REVISION	DATE	BY	CHK	APP	REFERENCE DRAWING
0	REVISED PER SHOP AS-BUILT	02/05/01	KRP	JH	IRB							
A	ISSUED FOR APPROVAL		KRP	JH								

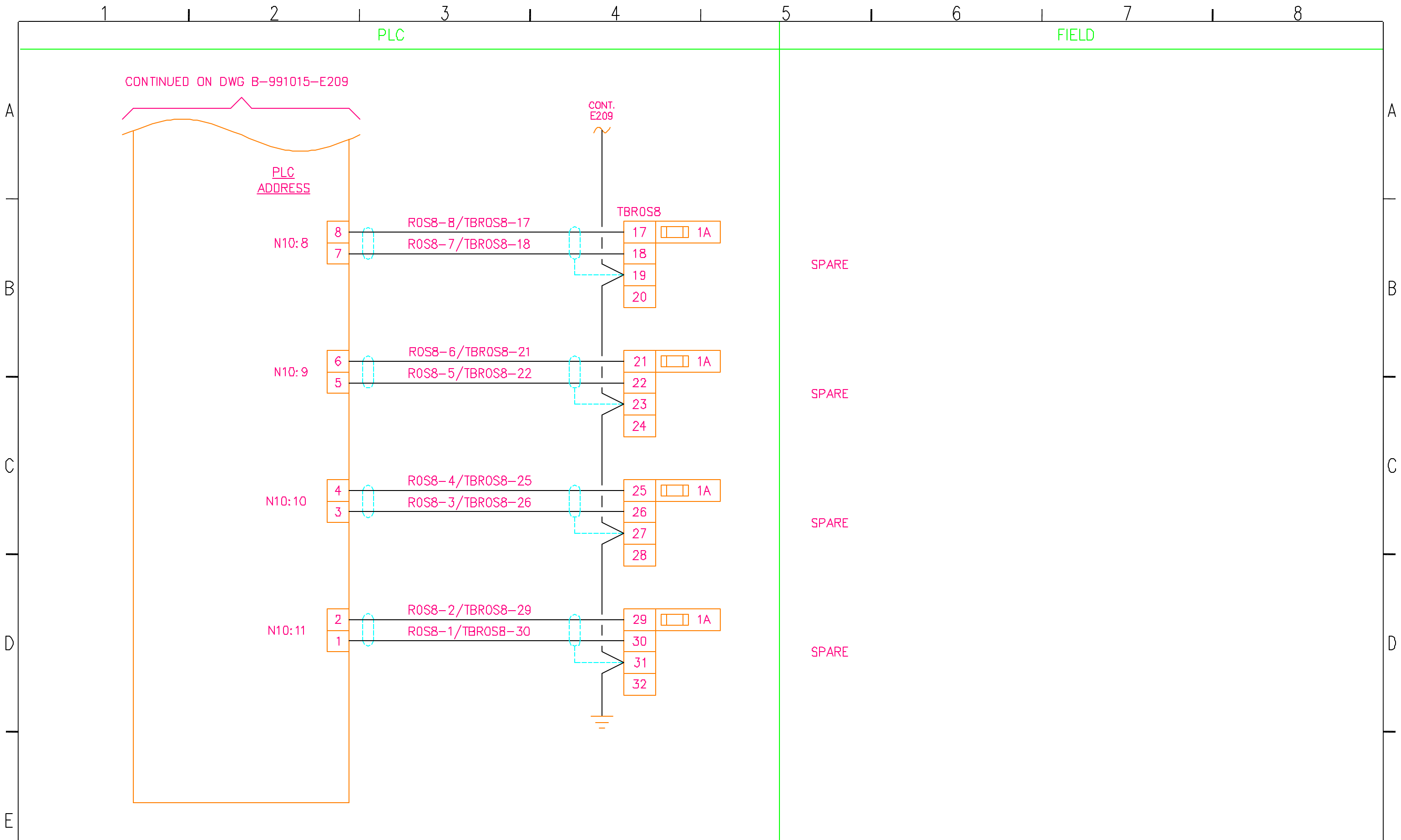
DISCRETE OUTPUT LOOP
 RACK 0/GROUP 3/SLOT 3 - SHEET 2 OF 2
 30TH STREET PUMP STATION
 CENTRAL WEBER SEWER IMPROVEMENT DISTRICT

DRAWN BY
J. R. HOYT
 DESIGNED BY
J. R. HOYT
 CHECKED BY
 APPROVED BY



SCALE	NONE	DATE	06/16/00
DRAWING NO.	B-991015-E208		

STATUS



REV	DESCRIPTION OF REVISION	DATE	BY	CHK	APP	REV	DESCRIPTION OF REVISION	DATE	BY	CHK	APP	REFERENCE DRAWING

ANALOG INPUT LOOP
 RACK 0/GROUP 0/SLOT 8 - SHEET 2 OF 2
 30TH STREET PUMP STATION
 CENTRAL WEBER SEWER IMPROVEMENT DISTRICT

DRAWN BY
 J. R. HOYT
 DESIGNED BY
 J. R. HOYT
 CHECKED BY
 APPROVED BY



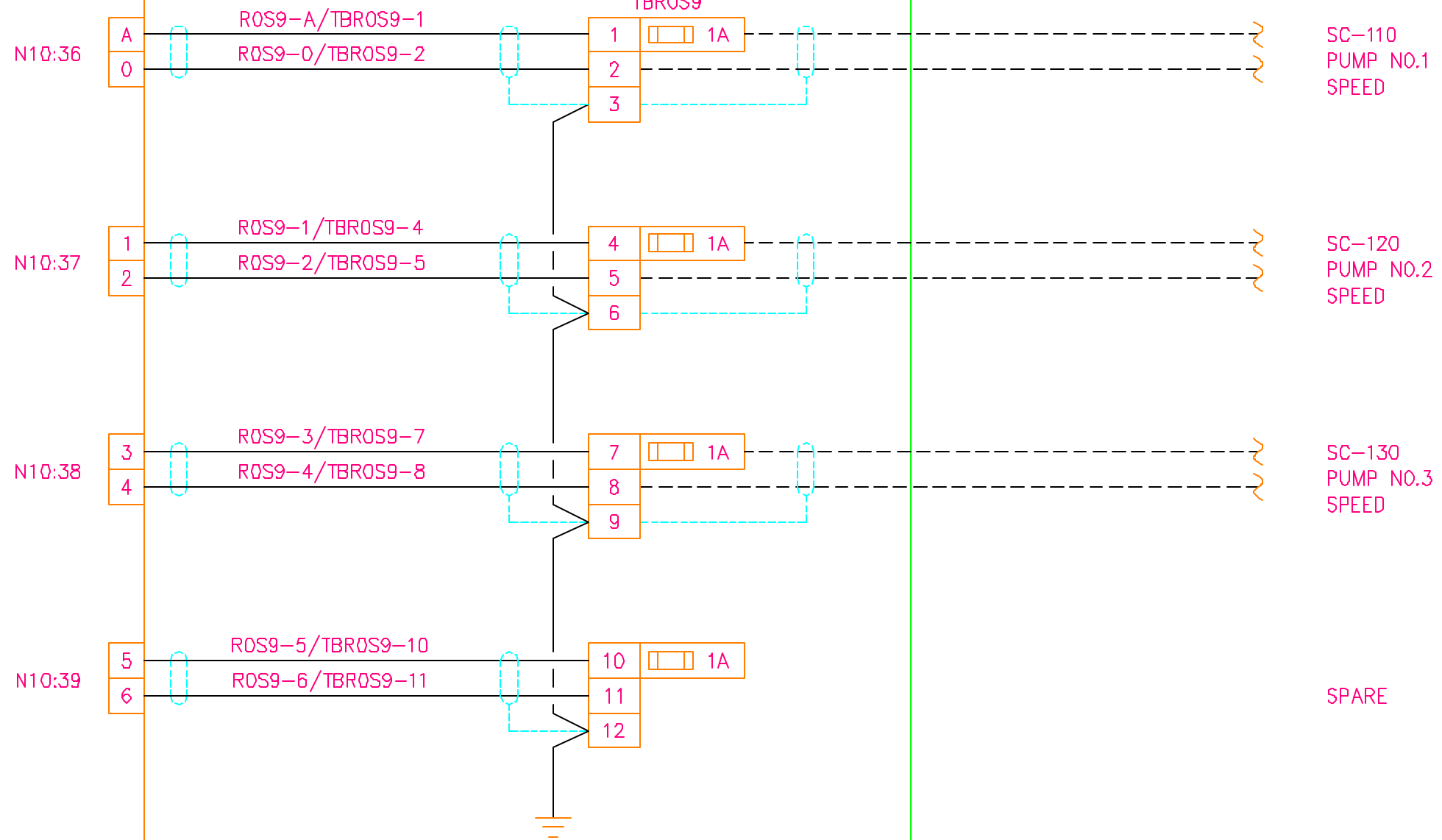
SCALE	NONE	DATE	06/16/00
DRAWING NO.	B-991015-E210		

STATUS:

PLC

FIELD

24VDC
 ANALOG OUTPUT
 AB 1771-OFE2
 4 CHANNEL
 RACK 0 GROUP 1 SLOT 9
 4mA=0
 24mA=4095
 PLC
 ADDRESS



REV	DESCRIPTION OF REVISION	DATE	BY	CHK	APP	REV	DESCRIPTION OF REVISION	DATE	BY	CHK	APP	REFERENCE DRAWING

ANALOG OUTPUT LOOP
 RACK 0/GROUP 1/ SLOT 9
 30TH STREET PUMP STATION
 CENTRAL WEBER SEWER IMPROVEMENT DISTRICT

DRAWN BY
 J. R. HOYT
 DESIGNED BY
 J. R. HOYT
 CHECKED BY
 APPROVED BY



SCALE	NONE	DATE	06/16/00
DRAWING NO.	B-991015-E211		

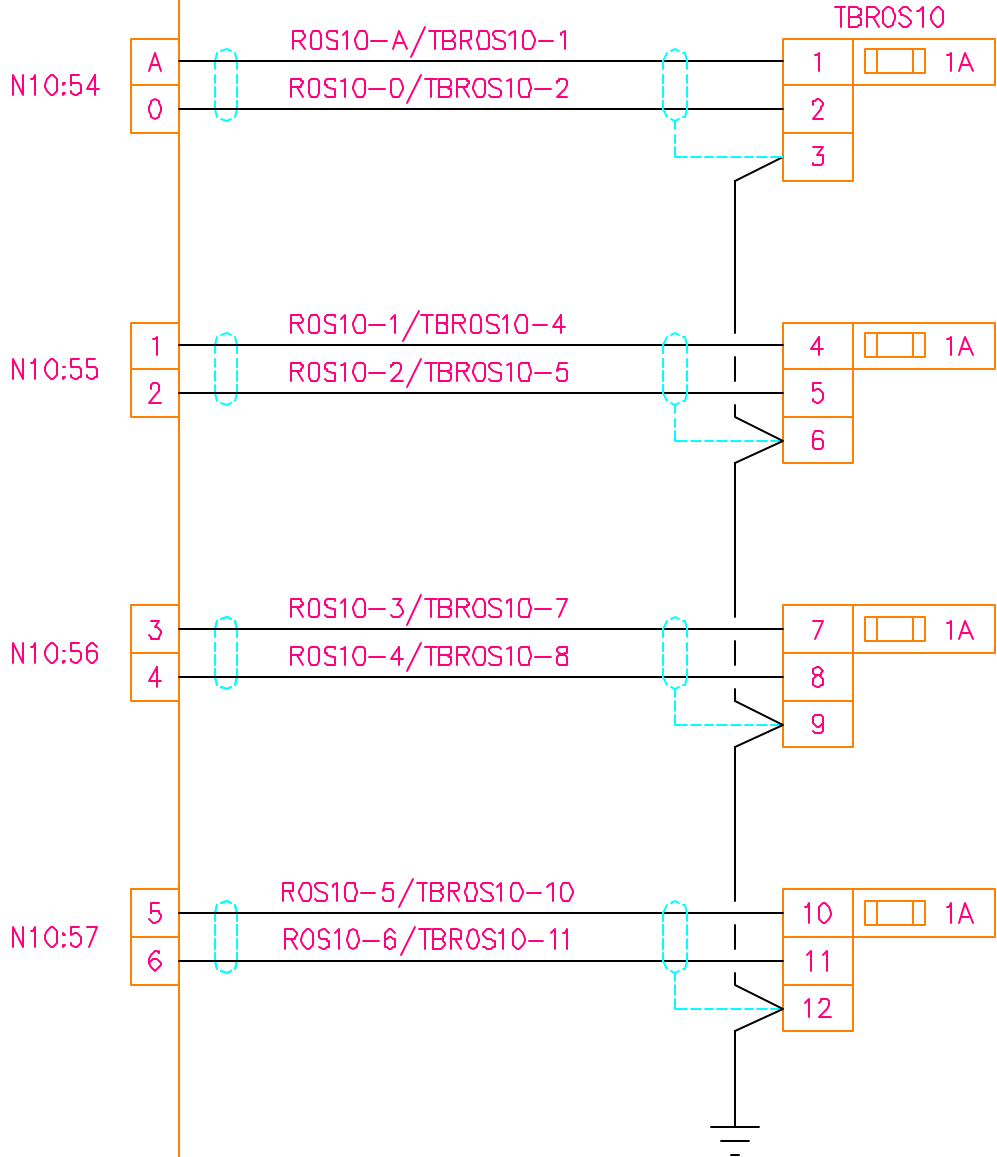
STATUS:

PLC

FIELD

24VDC
 ANALOG OUTPUT
 AB 1771-OFE2
 4 CHANNEL
 RACK 0 GROUP 2 SLOT 10
 4mA=0
 24mA=4095

PLC
 ADDRESS



SPARE

SPARE

SPARE

SPARE

REV	DESCRIPTION OF REVISION	DATE	BY	CHK	APP	REV	DESCRIPTION OF REVISION	DATE	BY	CHK	APP	REFERENCE DRAWING

ANALOG OUTPUT LOOP
 RACK 0/GROUP 2/ SLOT 10
 30TH STREET PUMP STATION
 CENTRAL WEBER SEWER IMPROVEMENT DISTRICT

DRAWN BY
 J. R. HOYT

DESIGNED BY
 J. R. HOYT

CHECKED BY

APPROVED BY



SCALE NONE DATE 08/16/00

DRAWING NO. B-991015-E212

557 West 5160 Spauld
 MURRAY, UTAH 84107, Ph:(801)281-2920

STATUS: